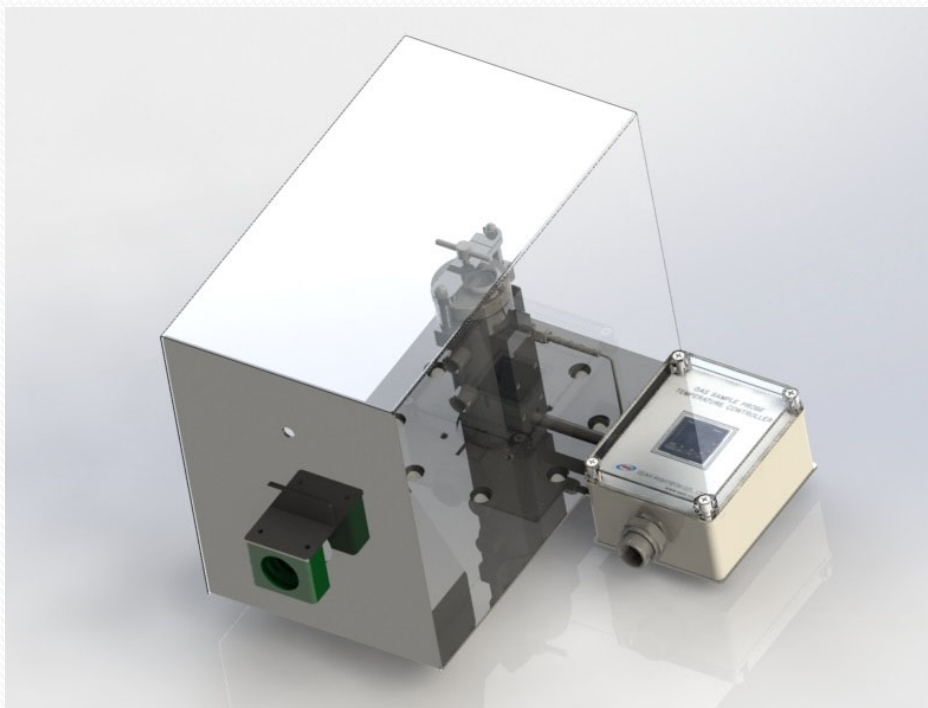


GAS SAMPLE PROBE



◆ Product details

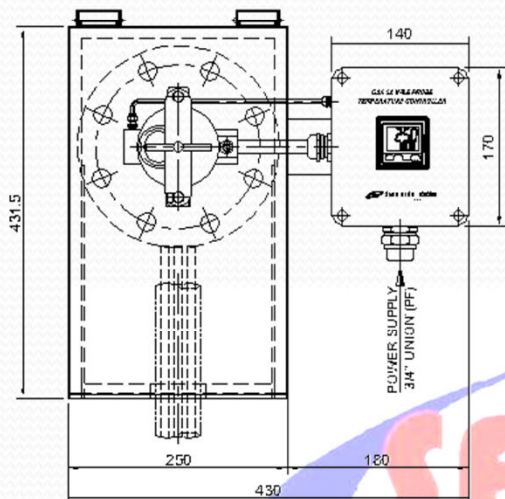
- Electrically heated up to 120°C or 180°C
- Sampling of dust loaded process gases
- Small volume, fast response time
- Easy mounting and maintenance
- Self-regulated electrical heater
- Outdoor mounting with protective cover
- The control junction box option: Protection Class - IP66
(KTL Certificate No.: 16-039829-01)

◆ Specification and order information

Model	A	Specification	B	Specification	Accessories
		Element Range & Voltage		Body Material	
SAHT-GSP-A-B	C05	Ceramic 5 Micron(DΦ30x150L)	H : Hastelloy-C M : Monel S : 316SS		* Purge Valve Set * Control J/B Protection : IP66 (KTL: 16-039829-01)
	C10	Ceramic 10 Micron(DΦ30x150L)			
	C05/110	5 Micron / 2P 110VAC 60Hz			
SAHT-GSP-A-B-JT (Jacket Type)	C10/110	10 Micron / 2P 110VAC 60Hz			
	C05/220	5 Micron / 2P 220VAC 60Hz			
	C10/220	10 Micron / 2P 220VAC 60Hz			

- Rubrication.**
- 1) Primary supply is Samples In of size 3/4 "NPT (F) of the female thread.
 - 2) Primary supply is Purge Air In / Sample Out of size 1/4 "NPT (F) of the female thread.
 - 3) Customized special specifications.

GAS SAMPLE PROBE



TOP VIEW

SAHT - GSP - ELEMENT RANGE & VOLTAGE - MATERIAL

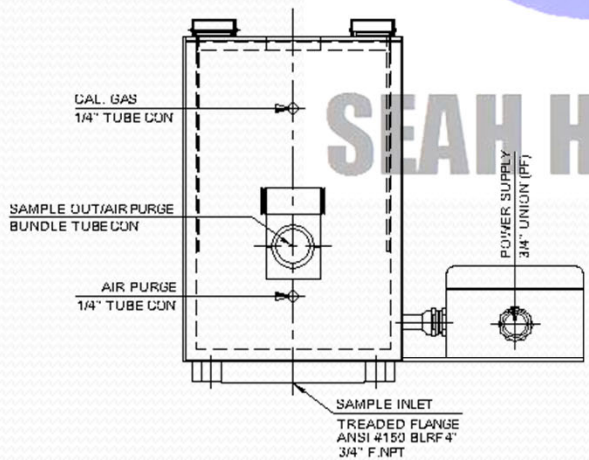
GAS SAMPLE PROBE

ELEMENT RANGE & VOLTAGE

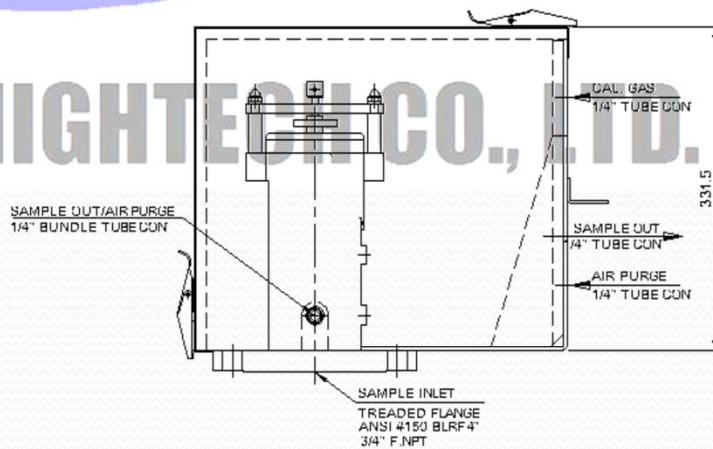
C05/110 : CERAMIC 05 μ / 2P 110VAC 60HZ
 C05/220 : CERAMIC 05 μ / 2P 220VAC 60HZ
 C10/110 : CERAMIC 10 μ / 2P 110VAC 60HZ
 C10/220 : CERAMIC 10 μ / 2P 220VAC 60HZ

BODY MATERIAL

H : HASTELLOY-C
 M : MONEL
 S : SUS 316



RIGHT VIEW



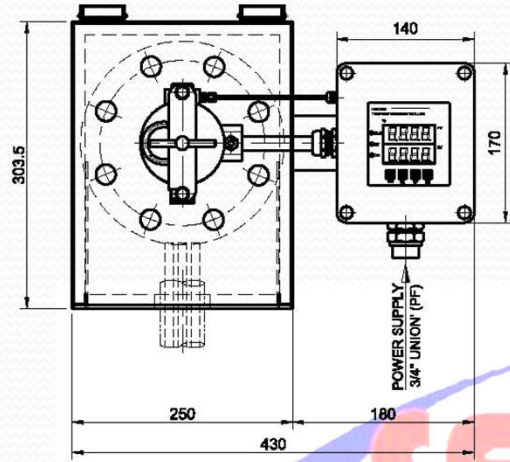
FRONT VIEW

- NOTE -

- CERAMIC ELEMENT : $\text{D}\text{O}30 \times 150\text{L}$
- OPTION : INSULATION JACKET PURGE FITTING & VALVE

\triangle	APPROVAL	Oct. 30, 2017	S.R. BAEK	J.S. KANG	D.H. PARK
REV.	DESCRIPTION	DATE	REV'D	CHECKED	APP'D
SEAH HIGHTECH CO., LTD. SEOUL, KOREA			TITLE GAS SAMPLE PROBE		
SCALE	NONE SCALE	DRAWN	DESIGN	CHECK	APPR.
DATE	Mar. 15, 2023			DRAWING NO.	REV.
				VP-SAHTP-GSP-1	\triangle

GAS SAMPLE PROBE



TOP VIEW

SAHT - GSP - ELEMENT RANGE & VOLTAGE - MATERIAL

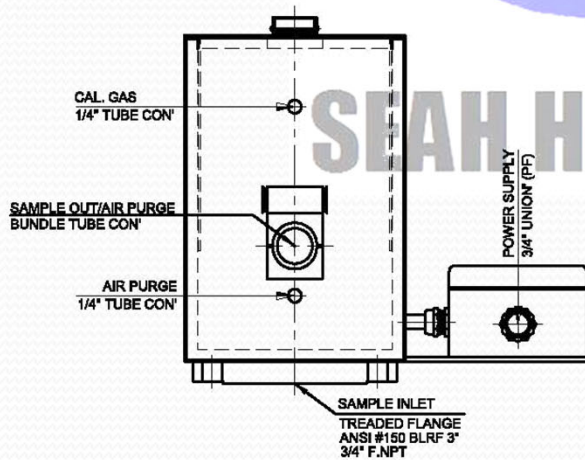
GAS SAMPLE PROBE

ELEMENT RANGE & VOLTAGE

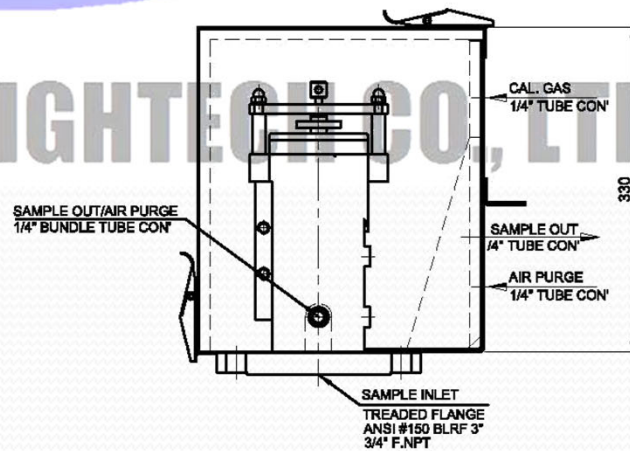
C05/110 : CERAMIC 05 μ m / 2P 110VAC 60Hz
 C05/220 : CERAMIC 05 μ m / 2P 220VAC 60Hz
 C10/110 : CERAMIC 10 μ m / 2P 110VAC 60Hz
 C10/220 : CERAMIC 10 μ m / 2P 220VAC 60Hz

BODY MATERIAL

H : HASTELLOY-C
 M : MONEL
 S : SUS 316



RIGHT VIEW

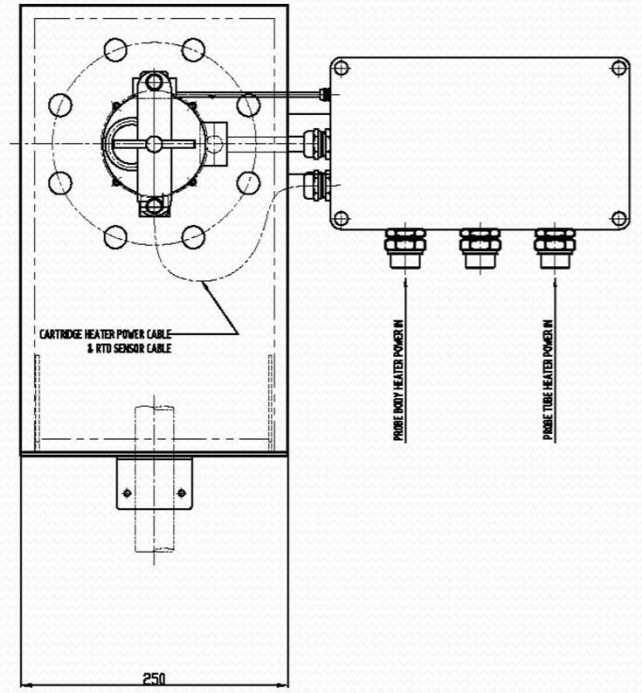
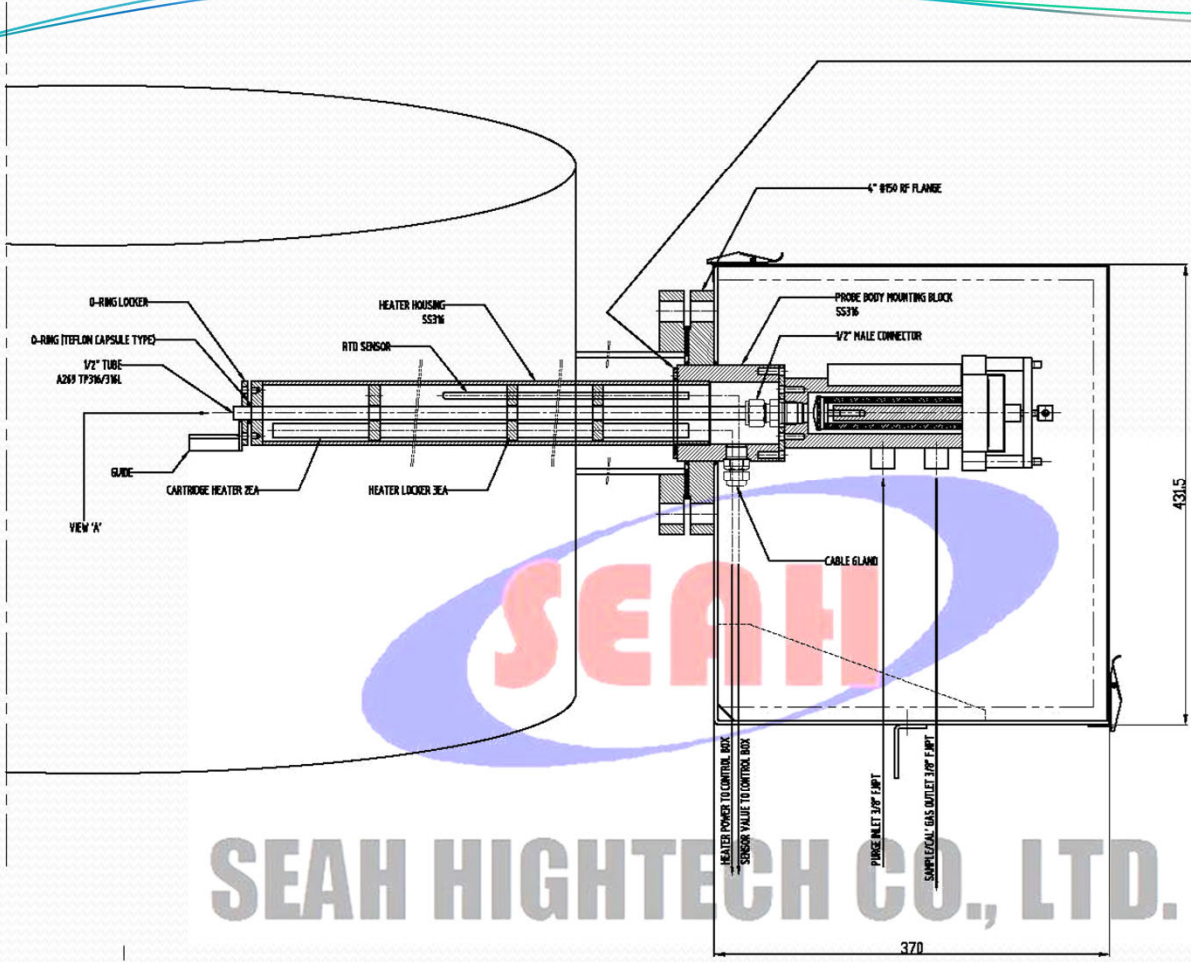
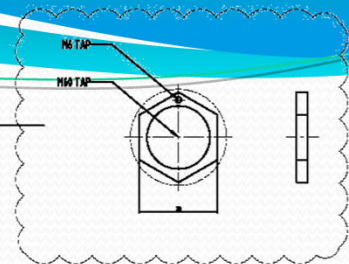


FRONT VIEW

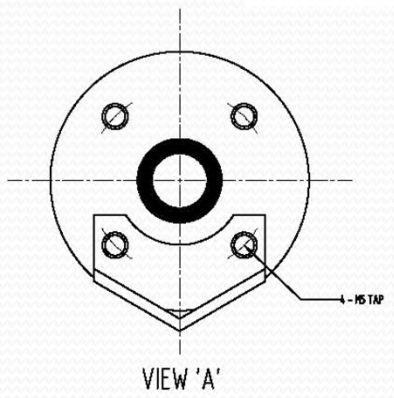
- NOTE -

- CERAMIC ELEMENT : DØ30 x 150L
- OPTION : INSULATION JACKET PURGE FITTING & VALVE

△	APPROVAL	Oct.30, 2017	W.P HONG	K.Y SON	D.H PARK
REV.	DESCRIPTION	DATE	REV'D	CHECKED	APP'D
SEAH HIGHTECH CO., LTD. SEOUL, KOREA			TITLE GAS SAMPLE PROBE		
SCALE	NONE SCALE	DRAWN	DESIGN	CHECK	APPR.
PROJECTION	-	<i>Wan-pyo Hong</i>			DRAWING NO.
DATE	Oct.30,2017	VP-SAHTP-GSP-1			REV. △



SEAH HIGHTECH CO., LTD.



REV.	DESCRIPTION	DATE	REV'D	CHECKED	APP'D
 SEAH HIGHTECH CO., LTD. SEOUL, KOREA		TITLE			
SCALE NONE		SCALE	DRAWN	DESIGN	CHECK APPR.
DATE		DRAWING NO.			REV