

REFLEX VALVE



◇ 상세설명

- Can be used as a chamber for liquid concentration of pH and conductivity measurement.
- Sensor's Connection is made of 1-1/4 "NPT .
- Standard Body Material: SS316
- Viton Sealing to O-Ring.(Can be changed upon request.)

◇ 사양 및 주문번호

Model	A	Specification	B	Specification	Remark
		VALVE FULL BORE SIZE		Body Material	
SAHT-RV-A-B	25	1" PIPE SIZE (Ø34)		P : PVDF S : 316SS	* FLANGE

주) 1) 특수한 사양도 주문 생산합니다.

REFLEX VALVE

SAHT - RV - 25 - S

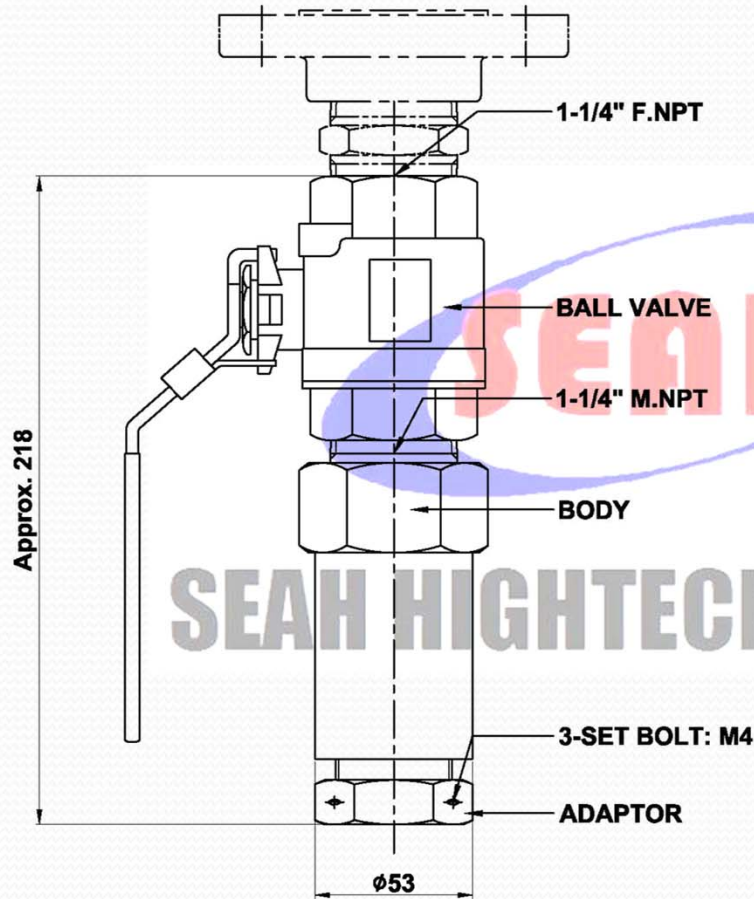
REFLEX VALVE

VALVE FULL BORE SIZE

MATERIAL (BODY, ADAPTOR, VALVE)

S : SS316, SS304

PVDF : P.V.D.F



SEAH HIGHTECH CO., LTD.

DESIGN DATA	
ITEM NAME	REFLEX VALVE
SIZE	1" CONNECTION HEIGHT : APPROX. 218mm
PRODUCT STORED	SEAH HIGHTECH CO.,LTD.
TEMPERATURE	MAXIMUM : 50 °C
SHELL DESIGN	SEE THE BELOW DRAWING
NOZZLE CONNECTION	1 - 1/4" NPT
MATERIAL	STEEL CLASS : SS316, SS304
	ALLOY CLASS : -
	REGIN CLASS : P.V.D.F

ACCESSORIES

Reflex Valve FABRICATOR TO SUPPLY AND / OR INSTALL ITEMS INDICATED

- | | |
|---|--|
| a. <input type="checkbox"/> MOUNTING BRACKET | b. <input type="checkbox"/> FLANGE |
| c. <input checked="" type="checkbox"/> SET BOLT | d. <input checked="" type="checkbox"/> SEAL O-RING |
| e. <input type="checkbox"/> MOUNTING BOLT | |

PAINTING BY FABRICATOR NATURAL

INSULATION : NO, SHELL : -

INSULATION COVER : -

NOTE : Permission to proceed dose not constitute acceptance or approval of design data, calculations, analyses, test methods or materials developed or selected by the supplier and does not relieve supplier from full compliance with contractual obligations.

	APPROVAL	Feb.10, 2011	J.S YOUN	K.Y SON	D.H PARK
REV.	DESCRIPTION	DATE	REV'D	CHECKED	APP'D

SEAH HIGHTECH CO., LTD.
SEOUL, KOREA

TITLE
REFLEX VALVE

SCALE	NONE SCALE	DRAWN	DESIGN	CHECK	APPR.
PROJECTION	-				
DATE	Feb.10,2011	KI-YOUNG SON			

DRAWING NO.
VP-SAHT-RV-25-S

REV.