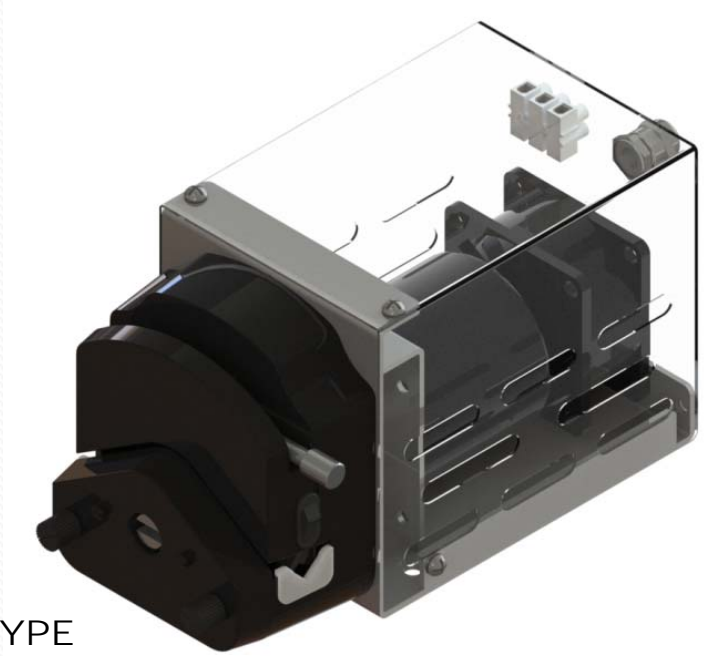


DRAIN PUMP



SINGLE TYPE

상세설명

- Simple and Quick tubing change.
- Accept multiple tubing sizes for maximum flexibility.
- Dual – channel hardware allows two pump heads to operate on a single motor.
- Fast tubing changes minimize downtime.

사양 및 주문번호

Model	A	Specification	B	Specification			Remark
		MOTOR R.P.M		POWER	TUBE	FLOW RATING	
SAHT – DP(*) - 9 – 220 *S : SINGLE *D : DUAL	9	9 R.P.M	220	210~230 VAC, 60 Hz	T16	7 mL/MIN	*Option PUMP HEADER •SAHT – DP – H07150 MOTOR •SAHT – DP – M220 TUBE •SAHT – DP – T16/25
					T25	14 mL/MIN	

주) 1) 특수한 사양도 주문 생산합니다.

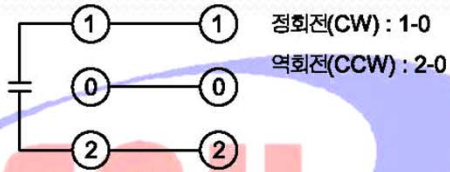
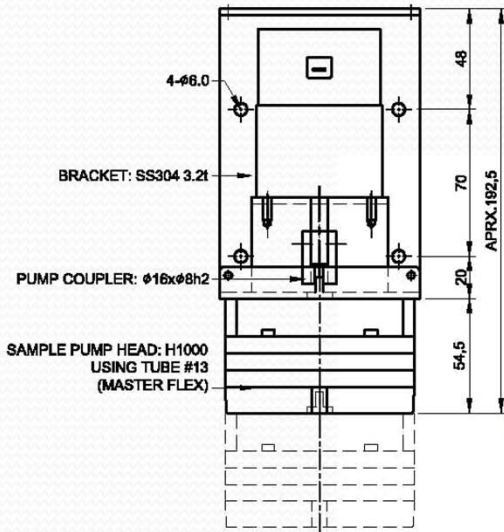
DRAIN PUMP

SAHT - DP() - R.P.M - VOLTAGE

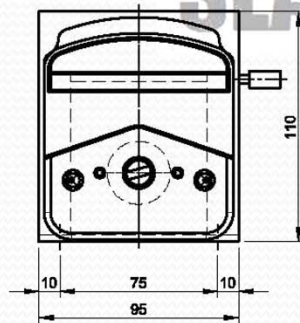
DRAIN PUMP
S : Single Type.
D : Dual Type.

220: 210~240 VAC 50/60Hz

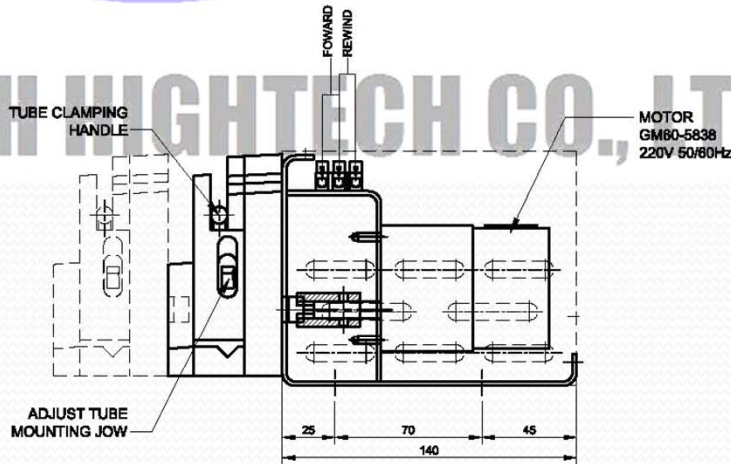
MOTOR r.p.m
9: 9 r.p.m



CONNECTION DIAGRAM



FRONT VIEW



RIGHT VIEW

DESIGN DATA

ITEM NAME	DRAIN PUMP		
SIZE	95 x 193	HEIGHT :	110 mm
WEIGHT	NOMINAL : 1.8 Kg	WORKING :	1.9 Kg
PRODUCT STORED	SEAH HIGHTECH CO., LTD.	MODEL	SAHT - DP - R.P.M - TUBE
SUPPLY POWER	AC 220V (ONLY)		
PUMP HEAD	DESIGN :		
TEST PRESSURE	3 KG/Cm ²	-	-
CORR. ALLOW.	HOUSING : 5mm , COVER: 20 mm		
SHELL DESIGN	SEE THE BELOW DRAWING		
BODY DESIGN	DRAWING	NOZZLE TO SHELL CONN.	1/4" F.NPT
MATERIAL	CHAMBER HOUSING	: SS316	
	UNION HOLDER	: SS316	
	O-RING	: VITON	
	BRACKET / BOLT / NUT :	: STS304	

ACCESSORIES

VESSEL FABRICATOR TO SUPPLY AND / OR INSTALL ITEMS INDICATED

- | | |
|---|-------------------------------------|
| a. <input checked="" type="checkbox"/> MOUNTING BRACKET | b. <input type="checkbox"/> FAN |
| c. <input type="checkbox"/> BALL VALVE | d. <input type="checkbox"/> FITTING |
| e. <input type="checkbox"/> MOUNTING BOLT | f. <input type="checkbox"/> CASING |

PAINTING BY FABRICATOR NATURAL: -

INSULATION : NO, SHELL : -

INSULATION COVER : -

NOTE : Permission to proceed dose not constitute acceptance or approval of design data, calculations, analyses, test methods or materials developed or selected by the supplier and does not relieve supplier from full compliance with contractual obligations.

APPROVAL	Feb.10, 2006	J.S YOUN	K.Y SON	D.H PARK
REV.	DESCRIPTION	DATE	REV'D	CHECKED

						TITLE	
SEAH HIGHTECH CO., LTD.						DRAIN PUMP	
SEUL, KOREA							
SCALE	NONE SCALE	DRAWN	DESIGN	CHECK	APPR.	DRAWING NO.	
PROJECTION	-	KI-YOUNG SON				VP-SAHT-DP-CD-1	
DATE	Feb.10,2010					REV.	<input type="checkbox"/>