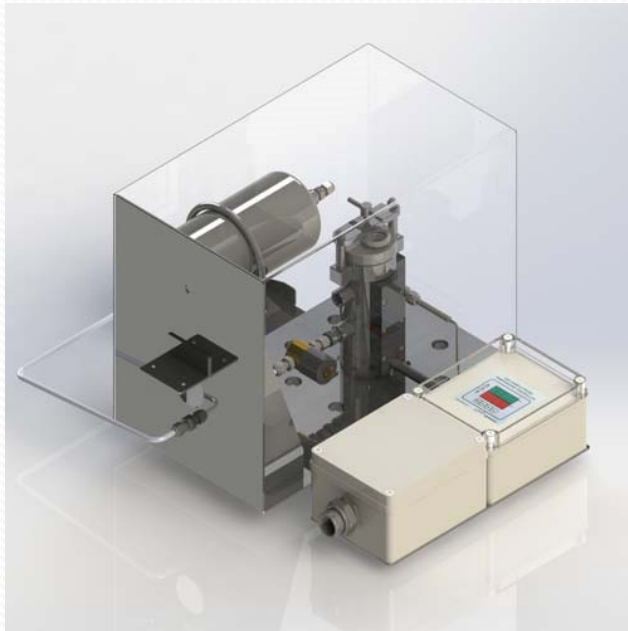


GAS SAMPLE PROBE



상세설명

- Electrically heated up to 120°C or 180°C
- Sampling of dust loaded process gases
- Small volume, fast response time
- Easy mounting and maintenance
- Self-regulated electrical heater
- Outdoor mounting with protective cover
- Timer-based autopurge

사양 및 주문번호

Model	A	Specification	B	Specification	Accessories
		Element Range & Voltage		Body Material	
SAHT-GSP/AP-A-B (Air Purge Type)	C05/110	5 Micron / 2P 110VAC 60Hz	H : Hastelloy-C M : Monel S : 316SS		*Option - Solenoid Valve (For Closing Sample)
	C10/110	10 Micron / 2P 110VAC 60Hz			
	C05/220	5 Micron / 2P 220VAC 60Hz			
	C10/220	10 Micron / 2P 220VAC 60Hz			

- 주) 1) 기본적인 In 연결관 3/4" NPT임
 2) 기본적인 In/Out 전체 연결관 1/4" NPT(F)임
 3) 특수한 사양도 주문 생산합니다.

GAS SAMPLE PROBE

SAHT - GSP - ELEMENT RANGE & VOLTAGE - MATERIAL

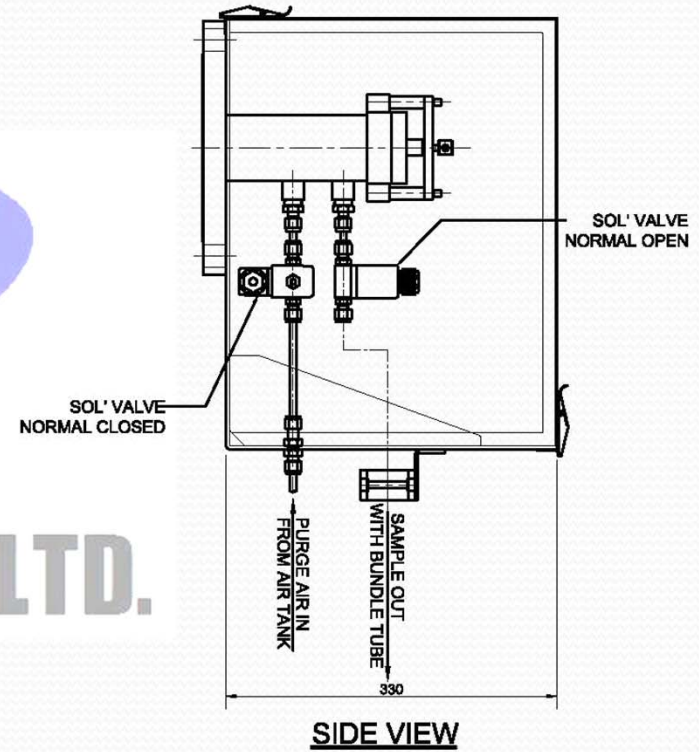
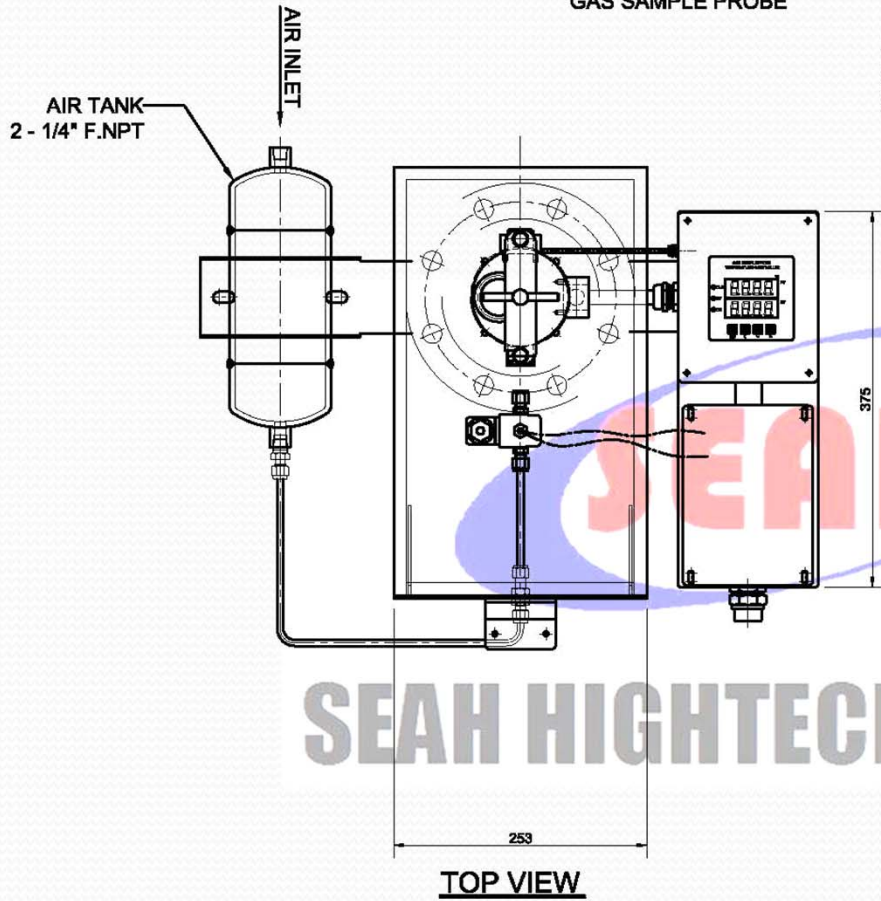
GAS SAMPLE PROBE

ELEMENT RANGE & VOLTAGE

C05/110 : CERAMIC 05 μ m / 2P 110VAC 60Hz
 C10/110 : CERAMIC 10 μ m / 2P 110VAC 60Hz
 C05/220 : CERAMIC 05 μ m / 2P 220VAC 60Hz
 C10/220 : CERAMIC 10 μ m / 2P 220VAC 60Hz

BODY MATERIAL

H : HASTELLOY-C
 M : MONEL
 S : SUS 316



SEAH HIGHTECH CO., LTD.

- NOTE -

- CERAMIC ELEMENT : DØ30 x 150L
- Solenoid Valve : For Closing Sample

⚠	FOR APPROVAL	June.10,2019	K.Y SON	K.Y SON	D.H PARK
REV.	DESCRIPTION	DATE	REV'D	CHECKED	APP'D
SEAH HIGHTECH CO., LTD. SEOUL, KOREA			TITLE GAS SAMPLE PROBE		
SCALE	NONE SCALE	DRAWN	DESIGN	CHECK	APPR.
PROJECTION	-	KI-YOUNG SON			DRAWING NO.
DATE	June.10,2019	VP-SAHTP-GSP-1			REV.
					⚠

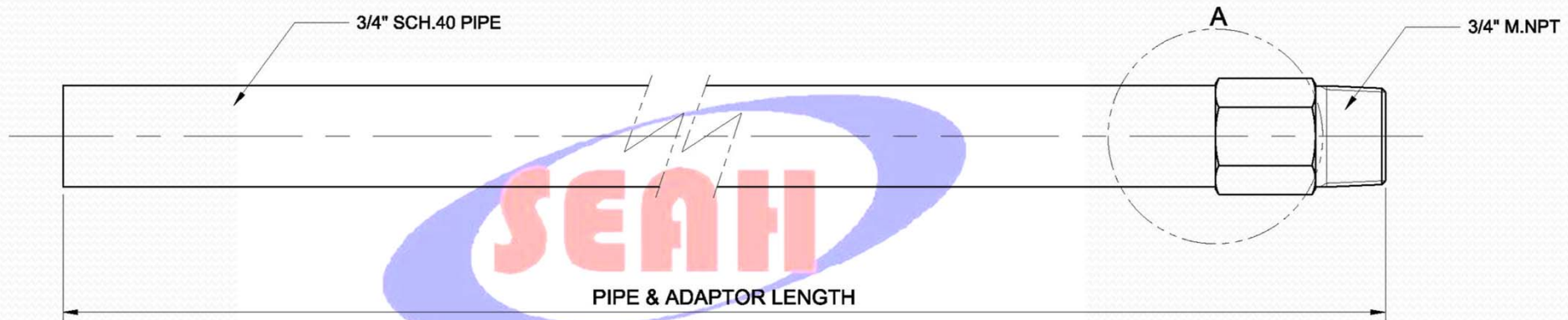
GAS SAMPLE PROBE PIPE

SAHT - GSPP - PIPE TOTAL LENGTH - MATERIAL

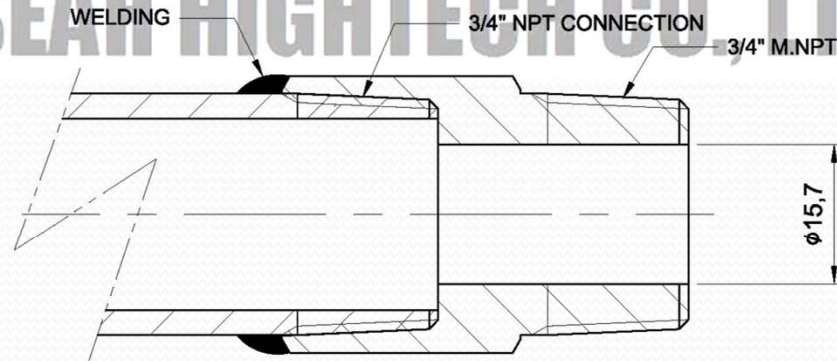
GAS SAMPLE PROBE
PIPE

PIPE & ADAPTOR LENGTH
1000 : 1000mm
1500 : 1500mm
2000 : 2000mm

BODY MATERIAL
H : HASTELLOY-C
M : MONEL
S : SUS 316



SEAH HIGHTECH CO., LTD.



"A" Detail

△	APPROVAL	Feb.10, 2006	J.S YOUN	K.Y SON	D.H PARK	
REV.	DESCRIPTION	DATE	REV'D	CHECKED	APP'D	
SEAH HIGHTECH CO., LTD. SEOUL, KOREA			TITLE GAS SAMPLE PROBE			
SCALE	NONE SCALE	DRAWN	DESIGN	CHECK	APPR.	
PROJECTION	-	<i>KI-YOUNG SON</i>			DRAWING NO.	REV.
DATE	Feb.10,2006				VP-SAHTP-GSP-2	△