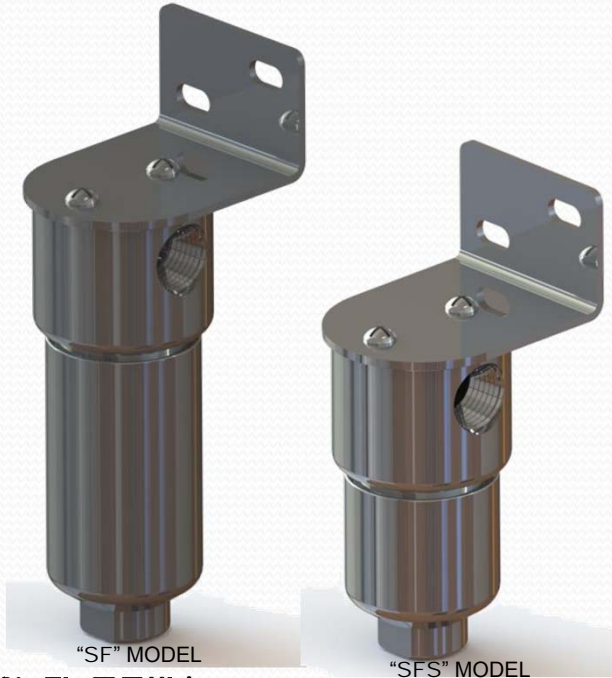


SAMPLE FILTER



"SF" MODEL

"SFS" MODEL

사양 및 주문번호

상세설명

- Stainless steel construction.
- Pressure to 5,000 psig.
- T-type structure for easy maintenance.
- The material of the Elements, possible filter is applicable to the various analyzers.

Model	A	Specification		B	Accessories
		Element Material & Range (SF Model)	Element Material & Range (SSF Model)		
				Body Material	
SAHT-SF-A-B SAHT-SFS-A-B	C1	Ceramic 1 μm (D Φ 19.5x54L)	Ceramic 1 μm (D Φ 19.5x27L)	H : Hastelloy-C M : Monel S : 316SS T : teflon	* Ball Valve
	C5	Ceramic 5 μm (D Φ 19.5x54L)	Ceramic 5 μm (D Φ 19.5x27L)		
	C10	Ceramic 10 μm (D Φ 19.5x54L)	Ceramic 10 μm (D Φ 19.5x54L)		
	P2	Paper 2 μm (D Φ 17x57L)	Paper 2 μm (D Φ 17x28L)		
	P25	Paper 25 μm (D Φ 17x57L)	Paper 25 μm (D Φ 17x28L)		
	S5	316SS 5 μm (D Φ 16x55L)	316SS 5 μm (D Φ 16x27L)		
	S10	316SS 10 μm (D Φ 16x55L)	316SS 10 μm (D Φ 16x27L)		

주) 1) 기본적인 In/Out/Drain 전체 연결관 1/4" NPT임
2) 특수한 사양도 주문 생산합니다.

SAMPLE FILTER

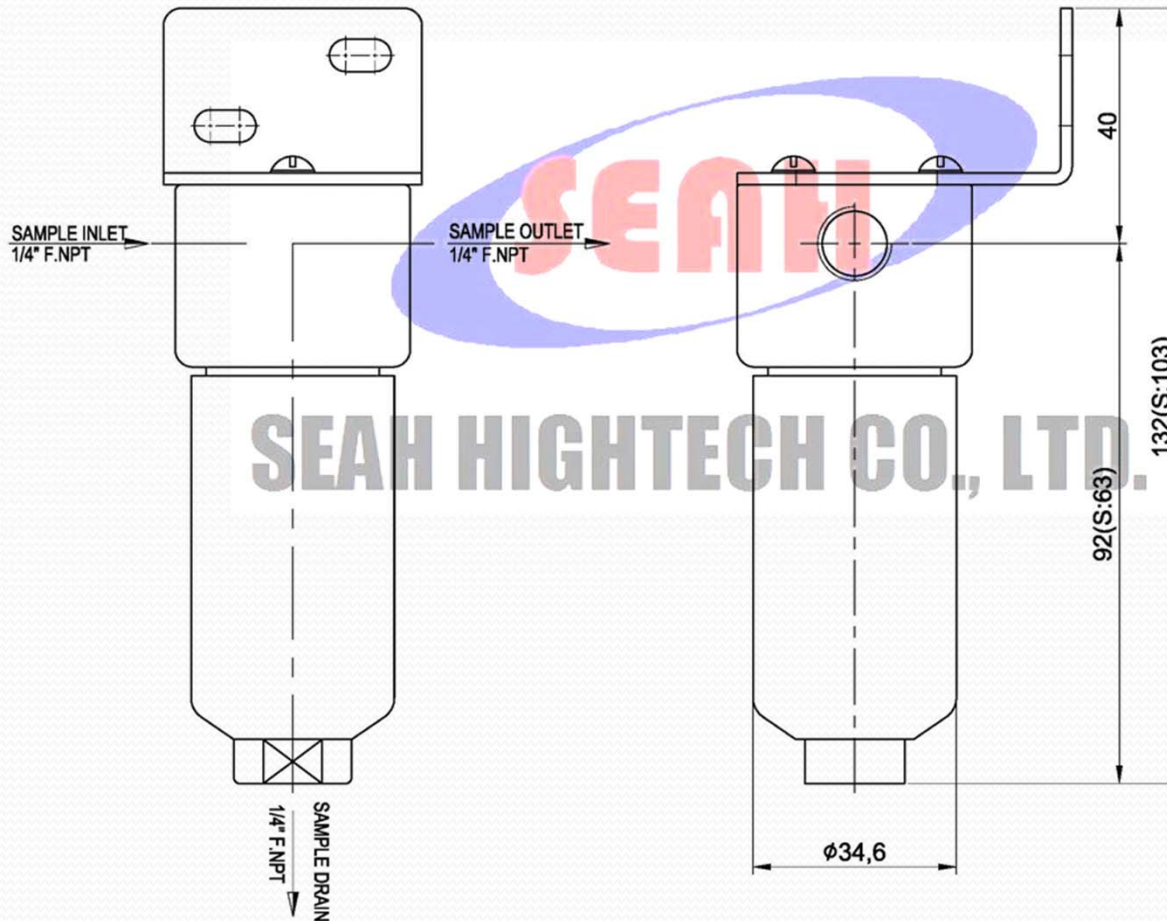
SAHT - SF - ELEMENT - MATERIAL

SF: SAMPLE FILTER
SFS: SAMPLE FILTER (SMALL TYPE)

ELEMENT SIZE & MATERIAL

C01: Ceramic 1 μ m D \emptyset 19.5 x 54L (S:27.5L)
C05: Ceramic 5 μ m D \emptyset 19.5 x 54L (S:27.5L)
C10: Ceramic 10 μ m D \emptyset 19.5 x 54L (S:27.5L)
P2: PAPER 2 μ m D \emptyset 17 x 57L (S: 28.5L)
P25: PAPER 25 μ m D \emptyset 17 x 57L (S: 28.5L)
S10: SS316 10 μ m D \emptyset 16 x 54L (S:27.5L)
S25: SS316 25 μ m D \emptyset 16 x 54L (S:27.5L)
S25: SS316 40 μ m D \emptyset 16 x 54L (S:27.5L)

BODY MATERIAL
S: SS316
M: MONEL ALLOY[®]
H: HASTELLOY[®]
T: PTFE (TEFLON)[®]



DESIGN DATA			
APPLIED CODE	ASME SECTION VIII Div2		
SIZE	ANSI 1"	HEIGHT	102mm
CAPACITY	NOMINAL : 30cc (S:15cc)	WORKING	18 cc (S: 10cc)
PRODUCT STORED	SEAH HIGHTECH CO., LTD.	MODEL	SAHT-SF-ELEMENT-MATERIAL
PRESSURE	DESIGN : ATM 6 KG/Cm ²	OPERATING	ATM 1.5
TEMPERATURE	DESIGN : 60 °C	OPERATING	21
TEST PRESSURE	6 KG/Cm ²		
CORR. ALLOW.	HOUSING : 5mm	COVER	3.84mm
SHELL DESIGN	SEE THE BELOW DRAWING		
BODY DESIGN	DRAWING	NOZZLE TO SHELL CONN.	1/4" FNPT
MATERIAL	CAP	: STS316	
	HOUSING	: STS316	
	-	: STS316L	
	BOLT / NUT :	: STS304	
ACCESSORIES			
FILTER FABRICATOR TO SUPPLY AND / OR INSTALL ITEMS INDICATED <input type="checkbox"/>			
<input checked="" type="checkbox"/> MOUNTING BRACKET		<input checked="" type="checkbox"/> ELEMENT	
<input type="checkbox"/> PRESSURE/ TEMP GAUGE		<input type="checkbox"/> FITTING	
<input type="checkbox"/> MOUNTING BOLT			
PAINTING BY <input type="checkbox"/> FABRICATOR <input checked="" type="checkbox"/> OTHERS :-			
INSULATION : NO, SHELL :-			
INSULATION COVER :-			

NOTE : Permission to proceed does not constitute acceptance or approval of design data, calculations, analyses, test methods or materials developed or selected by the supplier and does not relieve supplier from full compliance with contractual obligations.

- * Order Number (Element)
- SAHT - SF - FE - Element
- C01: Ceramic 1 μ m D \emptyset 19.5 x 54L (S:27.5L)
 - C05: Ceramic 5 μ m D \emptyset 19.5 x 54L (S:27.5L)
 - C10: Ceramic 10 μ m D \emptyset 19.5 x 54L (S:27.5L)
 - P02: PAPER 2 μ m D \emptyset 17 x 57L (S: 28.5L)
 - P25: PAPER 25 μ m D \emptyset 17 x 57L (S: 28.5L)
 - S10: SS316 10 μ m D \emptyset 16 x 54L (S:27.5L)
 - S25: SS316 25 μ m D \emptyset 16 x 54L (S:27.5L)
 - S25: SS316 40 μ m D \emptyset 16 x 54L (S:27.5L)

	SMALL SAMPLE FILTER (ADDED)	Jan.13, 2014	J.S YOUN	K.Y.SON	D.H PARK
	FOR APPROVAL	Feb.10, 2012	J.S YOUN	K.Y.SON	D.H PARK
REV.	DESCRIPTION	DATE	REVD	CHECKED	APPD
SEAH HIGHTECH CO., LTD. SEOUL, KOREA			TITLE		
			SAMPLE FILTER		
SCALE	1:1	DRAWN	DESIGN	CHECK	APPR
PROJECTION	-	KI-YOUNG SON			
DATE	Feb.10.2012	DRAWING NO. VP-SAHTP-SF-1			
					REV.